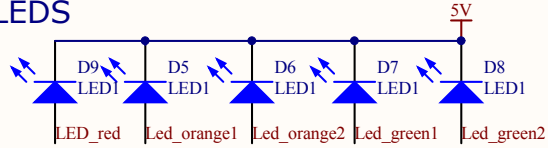


PROJECT: KillerCycle

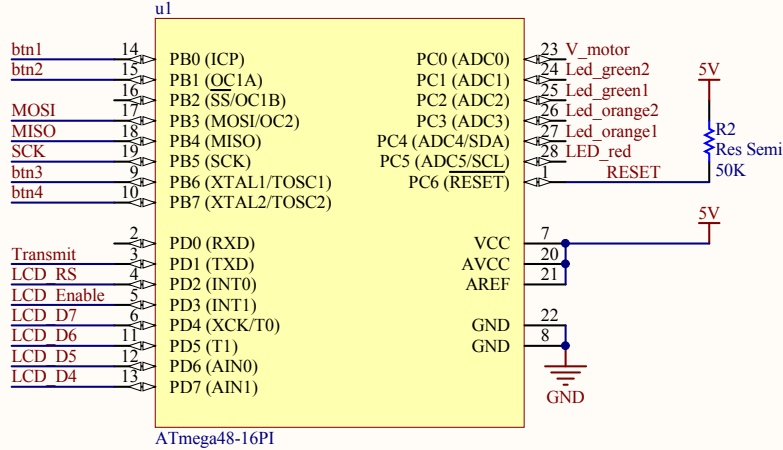
Exercise bike game controller with usage logging

transistor-man.com/killercycle.html

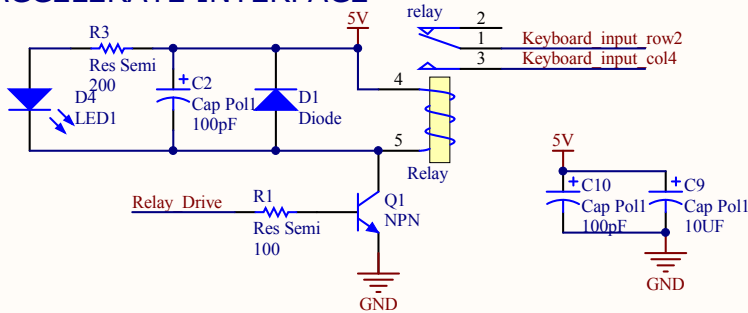
INDICATOR LEDs



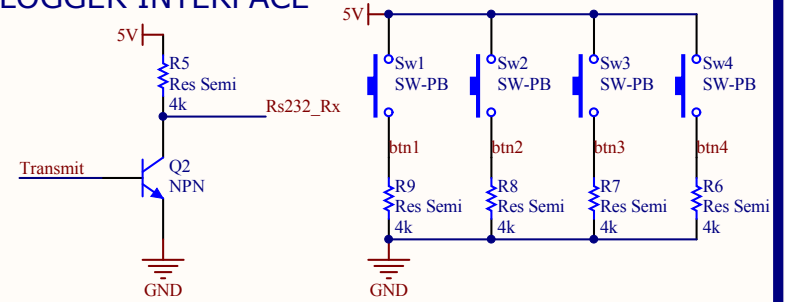
MICROCONTROLLER



ACCELERATE INTERFACE



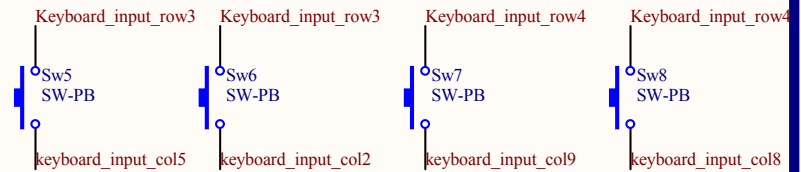
LOGGER INTERFACE



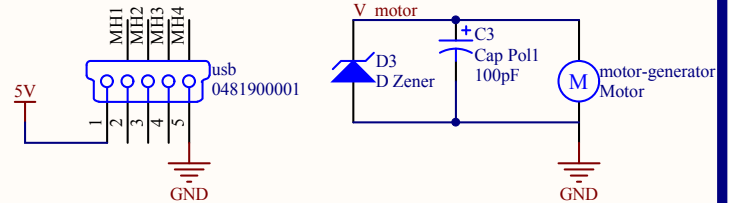
CONNECTORS



KEYBOARD INTERFACE



POWER & WHEEL SPEED



Title			KillerCycle		
			transistor-man.com/killercycle.html		
Size	Number	Revision			
A				1.0	
Date:	15/07/2010	Sheet of			
File:	C:\Program Files\...killercycle.SchDoc	Drawn By:	Dane Kouttron		